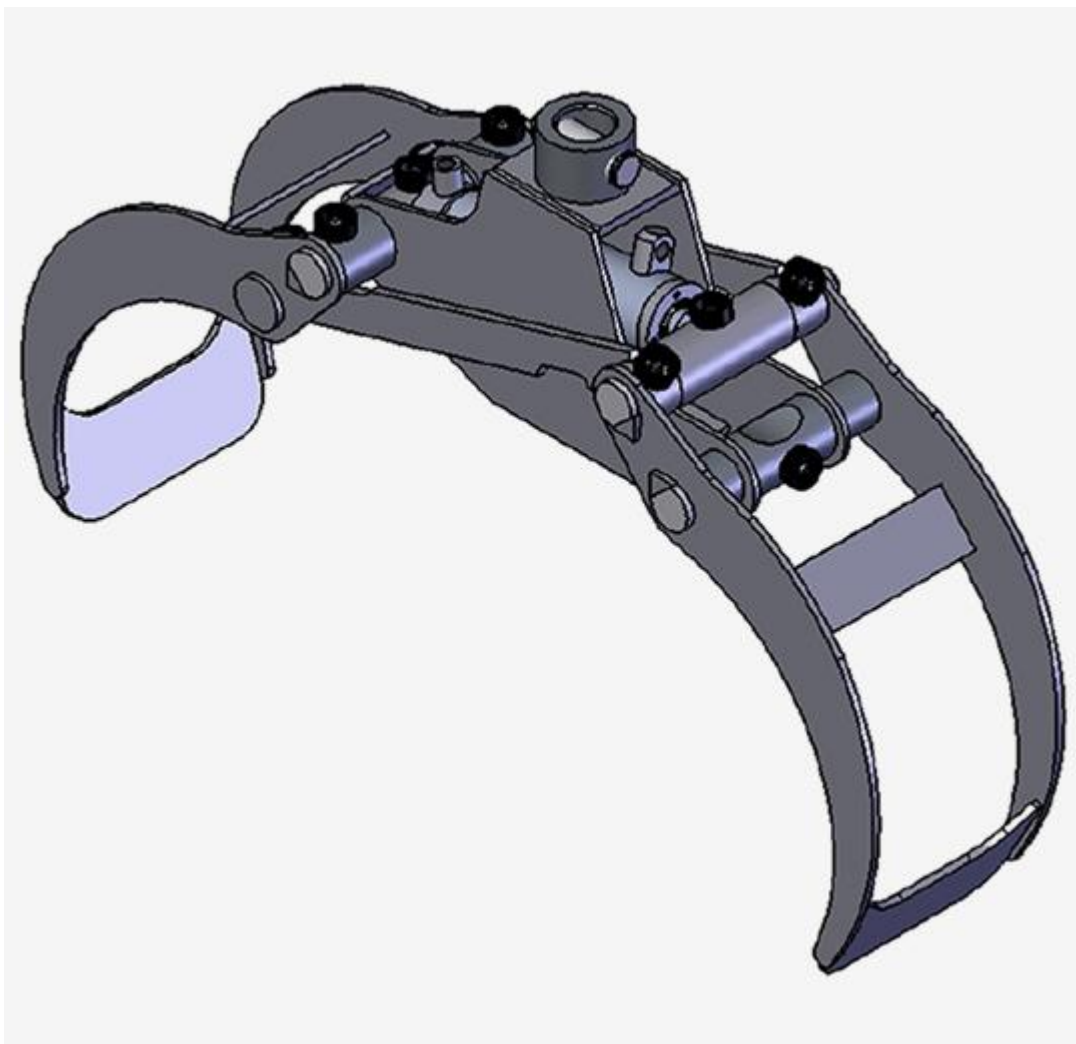


**GR36 Log Grapple**  
**OPERATION, MAINTENANCE AND**  
**SPARE PARTS MANUAL**

**VALBY**®

**VALBY**®



 **Northeast Implement**  
Spencer, New York 14883  
Tel: 607-589-6160  
Fax: 607-589-4026  
[www.northeastimplement.com](http://www.northeastimplement.com)

**It is very important to read this entire owners/operators  
manual before using this machine**

---

**GR36 Log Grapple**  
**OPERATION, MAINTENANCE AND**  
**SPARE PARTS MANUAL**

---



**This Page Left Blank Intentionally**

---

# GR36 Log Grapple

## OPERATION, MAINTENANCE AND SPARE PARTS MANUAL

---



---

### TABLE OF CONTENTS

---

1. TO THE OWNER/OPERATOR.....	4
2. SAFETY INSTRUCTIONS.....	5
3. GENERAL SAFETY .....	6
4. CONNECTION & MOUNTING.....	8
4.1. Connecting to the Hydraulic System.....	8
4.2. Mounting.....	8
4.3. Protecting Hydraulic Hoses.....	8
5. OPERATION .....	9
5.1. Test Operation .....	9
5.2. Practicing.....	9
5.3. Operation Conditions.....	9
5.4. Operation Safety .....	9
5.5. Mounting Instructions .....	10
5.6. Lifting Loads .....	10
5.7. Service Instructions.....	10
5.8. Storage and Transport .....	10
6. ADDITIONAL SAFETY.....	11
6.1. Electrical Wires .....	11
6.2. Additional Cautions.....	11
7. TECHNICAL DATA.....	12
8. MAINTENANCE & LUBRICATION .....	12
9. EXCAVATOR GRAPPLE .....	13
10. DIVERTER VALVE .....	14
11. GRAPPLE .....	16
12. ROTATOR.....	18
13. WARRANTY.....	21
14. GRAPPLE RECOMMENDATIONS.....	23

---

# GR36 Log Grapple

## OPERATION, MAINTENANCE AND SPARE PARTS MANUAL

---



---

### 1: TO THE OWNER-OPRATOR

---

Thank you for purchasing a VALBY product

Before we begin this manual, the people at VALBY want you, the owner-operator, to know this piece of equipment can be very dangerous if safety procedures and warnings are ignored. Read this manual carefully page by page until you understand it completely. Failure to do so can and will result in personal injury and/or equipment damage.

All personnel including operators, maintenance crews, and bystanders, etc. should read this manual before start up.

This manual should be considered a permanent part of your equipment and should remain with the equipment if you sell it.

IMPORTER:

**NORTHEAST IMPLEMENT**

460 Halsey Valley Road  
Spencer, NY 14883  
U.S.A.

Phone: 607-589-6160  
Fax: 607-589-4026  
E-Mail: [info@northeastimplment.com](mailto:info@northeastimplment.com)  
Web: [www.northeastimplement.com](http://www.northeastimplement.com)

Record Your Serial Number: GR36 Log Grapple s/n: \_\_\_\_\_

R3 Rotator s/n: \_\_\_\_\_

Date of Purchase: \_\_\_\_/\_\_\_\_/\_\_\_\_

---

## **2: SAFETY INSTRUCTIONS**

---

### TERMS AND SYMBOLS USED IN INSTRUCTIONS



Safety is a combination of operator common sense and alertness at all times when the machine is being operated.

This or to your with a



message is used for general reminders of good safety practices direct attention to unsafe practices. The message will appear in operators' manual and/or the sign will appear on the machine color combination of yellow and black



This Message denotes a specific potential hazard. The sign will be displayed on the machine in areas of potential hazard. The sign will have the color combination of yellow and black



This message denotes the most serious specific hazard. The sign will be displayed on the machine in areas of potential hazard.



Message labeled "Important" will appear in your operator's manual to provide specific instructions for performing adjustments, service, etc. If these instructions are not followed it could result in damage to the machine.

---

### 3: General Safety

---



Do not operate this machine until you have read the manual page by page and understand the manual. The owner of this machine is responsible for all operators and support personnel in the operation and safety precautions of this chipper. Proper training prior to operation of the chipper is obligatory.

- Study the manual and read all safety instructions carefully, including all instruction stickers on the machine.
- Before anyone uses the grapple, make sure that he/she also studies these instructions for use and all safety regulations
- The operator must be of age (not a minor) and in good health.
- The operator cannot be under the influence of alcohol, drugs or medicines.
- Stay alert! Do not operate the grapple when fatigued.
- In order not to endanger the safety of the operator, do not modify the machine.
- Use only original parts replacements. Remove all inappropriate components that don't belong to the machine.
- Install all protective shields in their proper place.
- Study the function of all controls.
- Place the attachment on the ground in such a position that it cannot move during maintenance, cleaning, adjustments, and installation of accessories or storage.
- Don't put the grapple into such uses, for which it is not designed.
- The danger zone is 80 feet; ensure that no one is inside the danger zone, take special note of children.
- Familiarize yourself with the controls and how to stop the machine in an emergency.
- Never leave the attachment hanging in the air.
- Do not wear loose or torn clothes. Keep hands, feet and clothing away from power driven parts.
- Never go under the attachment or the load. Always operate the grapple from the cab of the machine.
- Check the tightness of all nuts and bolts after the first service hour. Also check the tightness at least once a month. They should be fastened in place, and in good working condition.
- Before lubricating the machine, shut down the engine and stop the machine.
- Observe possible leakage of hydraulic oil during the use of the machine. Repair leaks immediately to prevent contamination of nature.
- Pressurized oil can be hazardous. Pressurized oil jet can penetrate skin and cause serious injuries or death.

---

# **GR36 Log Grapple**

## **OPERATION, MAINTENANCE AND SPARE PARTS MANUAL**

---



- Wear protective gloves and other protective clothing to prevent exposures.
- In case you install a new additional valve system, you have to take into consideration that pressurized hydraulic hoses cannot be in the cabin area without protection.
- The valve controls must be installed in the cabin of the equipment.
- The attachment is designed for short distance transfer of timber on a landing. Carrying a load is not allowed during highway driving.
- Failure to heed the warnings printed on the grapple or in the operator's manual may result in serious injury or death!

## 4: CONNECTION & MOUNTING

### 4.1 CONNECTING TO THE HYDRAULIC SYSTEM

The circuit must be cleaned carefully. Oil should be circulated throughout the hydraulic system when the hydraulic system is up to operating temperature. This will lead the dirt particles to the filter. The loader must have a relief valve that restricts the pressure coming to the rotator to 3000 PSI. The connection to the hydraulic system requires two double acting valves. The housing of the rotor is marked for hook up as follows:

- G<> Opening of the grapple
- G>< Closing of the grapple
- R< Rotator turning to the direction of the pointer
- R> Rotator turning to the direction of the pointer



As the grapples often have a maximum working pressure of 2900 lbs., one can put a pressure relief valve if needed to the

circuit which is closing the grapple. When operating the grapple, don't leave the grapple open or closed in the machines extreme positions. This leaves pressure inside the grapple.

### 4.2 Mounting

Do not start the oil flow before operating valve is connected to the hydraulics.

The recommended way is to connect the pressure hose to a single acting hydraulic

output, and the return hose via filter to tank.

When the crane is connected to a double acting hydraulic connection, the pressure and return hoses are coupled to their own connections. Note that the machines' lever for double action valve directs the pressure correctly to cranes operating valves pressure connection.

Make sure the quick couplers lock when they are connected.

Place the control box at a convenient location in the cab.

Hook up the wires that go into the control box into a 12 volt DC battery so that the red wire goes to the positive terminal, and the black wire to the negative terminal.



The maximum pressure is 2900 PSI. If your machines' relief valve is set to higher pressures, you must add a second relief valve to protect the grapple.



### 4.3 Protecting Hydraulic Hoses

Hydraulic hoses must be placed and protected so that they are not exposed to rubbing, torque or mangling.

If pressure hoses must be led through operator's cabin, they must be protected, so that in case of breakage, nobody is endangered by oil spray.



## 5: OPERATION

### 5.1 Test Operation



Test out the grapple when the machine is running at idling speed so the movements of the grapple will be slow.

To bleed air from the system, cautiously operate the different movements one by one to their extreme positions, until the movements are smooth. The solenoid valve restricts you to use one function at a time. You can open or close the jaws, or run the rotator, but not simultaneously.

After test operation, check hoses and connections.

Fill up the hydraulic oil tank.

### 5.2 Practicing



Read and understand the operation and safety instructions before using the grapple.

Learn to control every operation of the grapple with an empty grapple. It is beneficial to adjust the pumps output as low as possible when you are practicing. This makes avoiding sudden movements easier. After you are accustomed to the grapples movements, choose an engine speed so that operation is efficient, but you still have the movements well under your control.

### 5.3 OPERATION CONDITIONS



This rotator is intended to be used on hydraulic loaders such as log loaders. The axle of the rotator is fastened to a grapple.

Using the rotator, one can turn the load horizontally. The oil for opening and closing the jaws of the grapple is piped thru the axle of the rotator. The maximum lifting capacity of the grapple should not be bigger than the maximum lifting capacity of the rotator. When using the rotator, one should ensure that the oil flows normally. The working temperature of the grapple is between -10F degrees to 120F degrees.

### 5.4 OPERATION SAFETY



- Ensure that the highest load capacity of the rotator is not exceeded.
- Ensure that the hydraulics have reached operational temperatures.
- Check the speed and the direction of the motions, and the function of the controls.
- Lift up the load before using the rotator. Do not drag the load.
- Closely observe the load when lifting it, the rotator does not have a brake and the load might turn due to wind or an unbalanced load.
- To stop the motion of the load, one must take corrective action from the valve.

- Ensure that the hydraulic hoses do not come into contact with obstacles. The breakage of a hose or a fitting might cause the dropping of the load or the continued turning of the rotator.

### 5.5 MOUNTING INSTRUCTIONS

The rotator is hooked thru a hanger to the lifting boom. The rotator must always be able to hang freely in a vertical position. The swinging motion of the rotator should be restricted, and the hydraulic hoses should be protected so that there is no risk for damage

### 5.6 LIFTING LOADS



Use the loader and the rotator with care according to the safety instructions included with the loader.

Avoid stressing the rotator axle sideways. For example, dragging a load before it is lifted off the ground is prohibited. Breakage of a hydraulic hose or a fitting might cause the load to drop or the rotation to continue. Damage to a hose might cause a high pressured oil spray.

### 5.7 SERVICE INSTRUCTIONS

The rotator must be serviced if the rotation is becoming uneven and stops temporarily. The pin which fastens the rotator to the boom must be greased once a week. The rotator hookup to the boom and the condition of the hoses must be checked once a week for breakage. Possible oil leaks or damage must be repaired immediately. If the pressure of

the grapple has diminished, or if it is opening by itself, check the seals that lead the oil through the rotator shaft. The torque of the bolts that tie the rotator together must be checked once a year. Repairing the rotator by welding is forbidden. Replacement of seals and other components must be done by a qualified technician.

### 5.8 STORAGE AND TRANSPORT

The hook ups to the rotator have to be kept closed or protected with plugs if the rotator is dismantled from the loader. The rotator should be protected from moisture and extreme temperature changes.

---

## 6: ADDITIONAL SAFETY

---

### 6.1 Electrical Wires

#### If an Electric Wire is Touching Your Machine



When working close to live electric wires, comply with the 80 ft. danger zone.

If the machine comes into contact with high voltage electric wires comply with following instructions:

If you are outside the machine do not touch any part of the machine. Do not attempt to get into the machine. Keep everybody out from the machines vicinity.

If you are inside the machine get out of it by jumping. Avoid touching any conducting parts. Do not make yourself a conductor through which electricity may flow. Get away from the machine by jumping so that no part of your body is in contact with the machine when you hit the ground. The electric field conducted by the ground can cause fatal voltage.

You are safe at about 70 ft. from the wire. Call for help.

### 6.2 ADDITIONAL CAUTIONS



The operator must observe the load during the lift. The rotator does not have a brake. If the load moves, for example, due to wind, or if the load is not in balance, the movement of the load has to be stopped by corrective action of the operator.

#### Warnings:

**The warnings, cautions and instructions discussed in this manual cannot cover all possibilities conditions and situations that may occur. It must be understood by the operator that common sense and caution are factors which cannot be built into this product, but must be supplied by the operator.**

# GR36 Log Grapple

## OPERATION, MAINTENANCE AND SPARE PARTS MANUAL



### 7: TECHNICAL DATA

<b>Grapple GR36</b>	
<b>Weight</b>	110 lbs.
<b>Lifting Capacity</b>	1765 lbs.
<b>Gripping Force</b>	2023 ft/lbs
<b>Gripping Area</b>	1.70 sq. ft
<b>Maximum Pressure</b>	2901 psi
<b>Recommended Flow</b>	11 gpm
<b>Recommended Excavator</b>	Up to 2 ton
<b>Rotator R3</b>	
<b>Rotation</b>	Unlimited
<b>Weight</b>	36 lbs.
<b>Lifting Capacity</b>	6,614 lbs.
<b>Maximum Pressure</b>	3,626 psi
<b>Flow Rate</b>	3 gpm
<b>Displacement</b>	17 cubic inches
<b>Torque</b>	516 ft/lbs

VALBY GR36 Log Grapple	Pos.	Measure
	A	36"
	B	16"
	C	24"
	D	1.5"
	E	11"

### 8: MAINTENANCE & LUBRICATION

	First 8 Hours	Every 20 Hours	Monthly	Procedure
<b>Grapple</b>				
<b>Bolts/Nuts</b>	X		X	Check for Tightness
<b>Joints</b>		X		Grease
<b>Rotator</b>				
<b>Flange</b>	X		X	Check for Tightness
<b>All Hyd. Fittings</b>	X		X	Check for Tightness/Leaks

# GR36 Log Grapple

## OPERATION, MAINTENANCE AND SPARE PARTS MANUAL



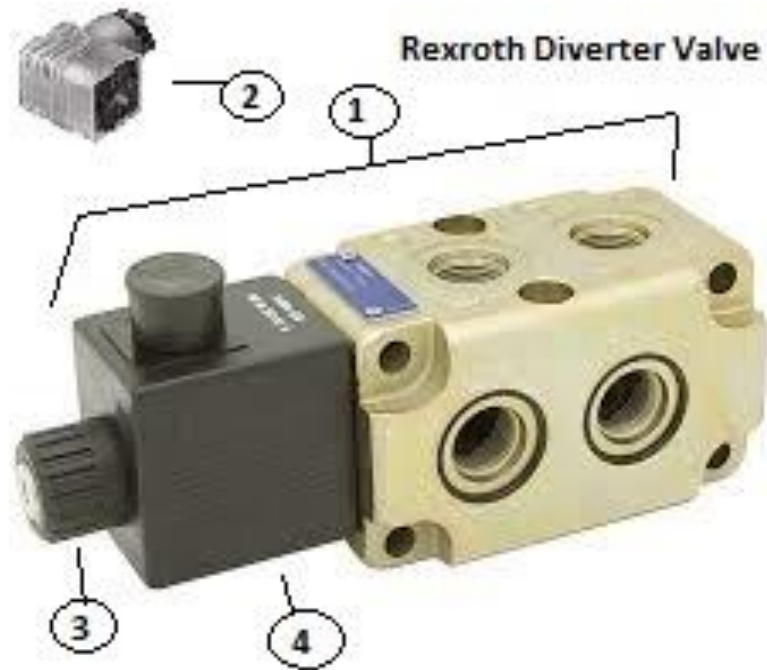
### 9: EXECAVATOR GRAPPLE



**Spare Parts List for Excavator Grapple**

Part	Order #	Description	Qty
1	GR36	VALBY 36" Log Grapple (See Enclosed Parts Breakdown)	1
2	511402	Long Grapple Hose	1
3	141150	Flange (Only on GR50 or Larger)	1
4	R3	Intermercato Rotator (See Enclosed Parts Breakdown)	1
5	145840	Hanger	1
6	Hanger on Plate	Model Specific	1
7	75012005	Diverter Valve to Rotator Hoses	4
	75012008	Lead Hoses when sold W/out Diverter Valve	4
8	511402	Short Grapple Hose	1

**10: DIVERTER VALVE (Optional)**



**Spare Parts List for Optional Diverter Valve**

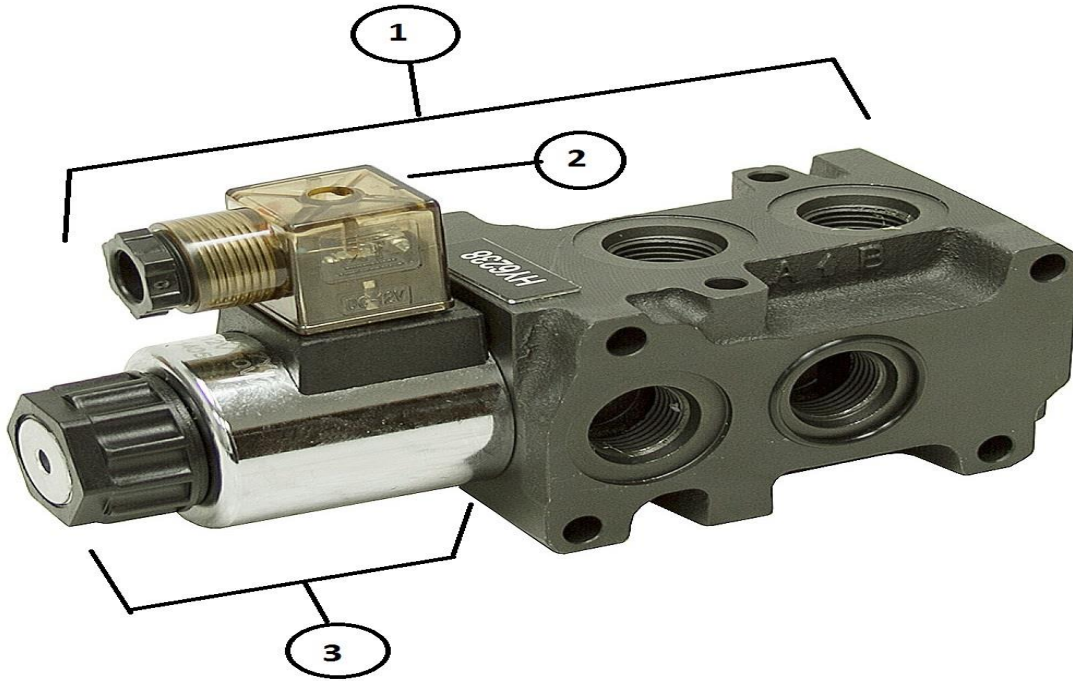
Part	Order #	Description	Qty
1	75002004	Rexroth Diverter Valve Complete (Square Coil)	1
2	75107500	DIN Connector	1
3	75107600	Plastic Nut	1
4	75104000	12V Coil Square	1
	75104500	24V Coil Square	

# GR36 Log Grapple

## OPERATION, MAINTENANCE AND SPARE PARTS MANUAL



Badestnost Diverter Valve



Parts Breakdown

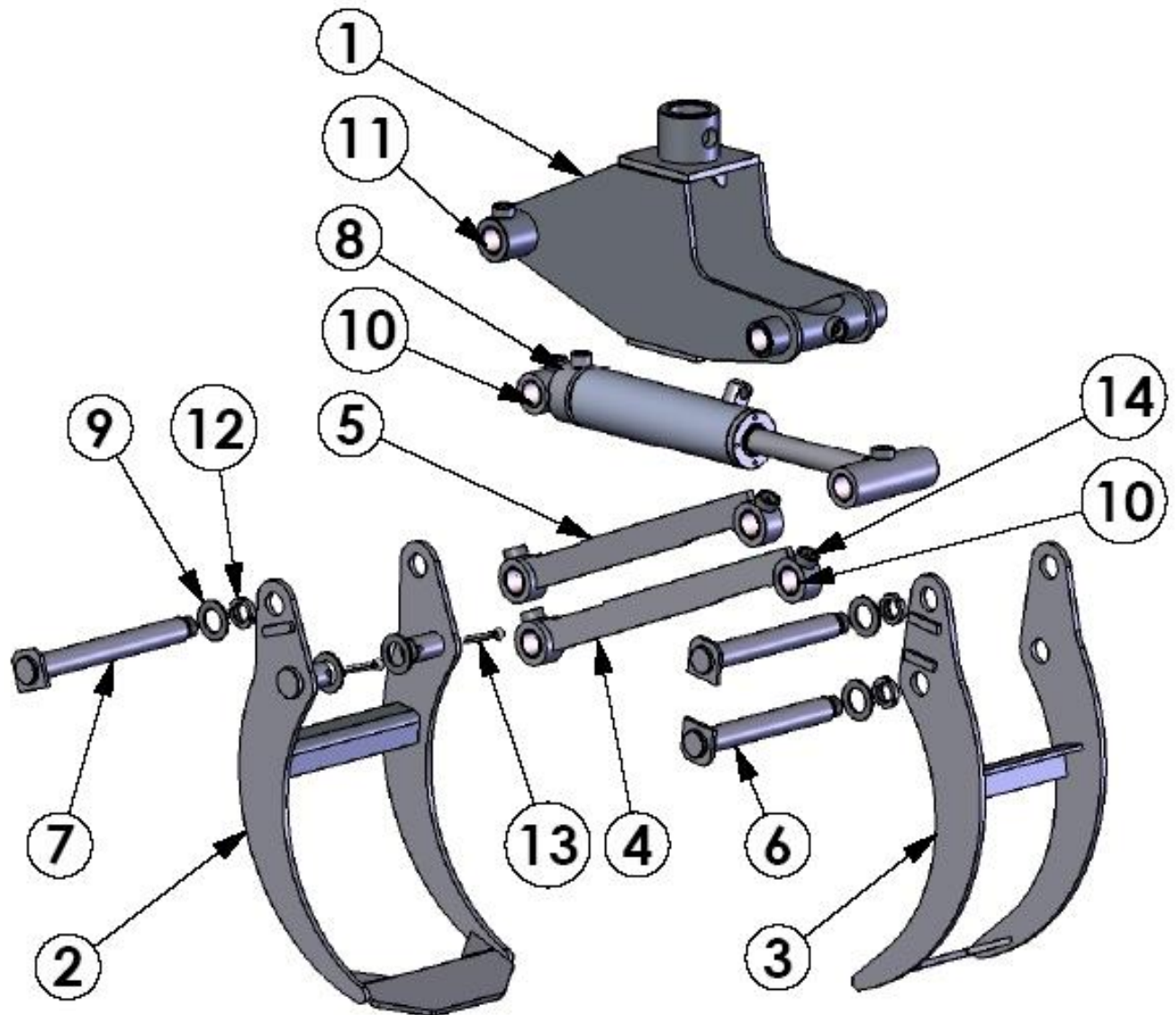
Part	Order#	Description	Qty
1	75002003	Badestnost Diverter Valve Complete (Round Coil)	1
2	75107500	DIN Connector	1
3	75104100	12V Coil Round	1

**GR36 Log Grapple**  
OPERATION, MAINTENANCE AND  
SPARE PARTS MANUAL



**11: GRAPPLE**

VALBY GR36 Log Grapple





---

# GR36 Log Grapple

## OPERATION, MAINTENANCE AND SPARE PARTS MANUAL

---

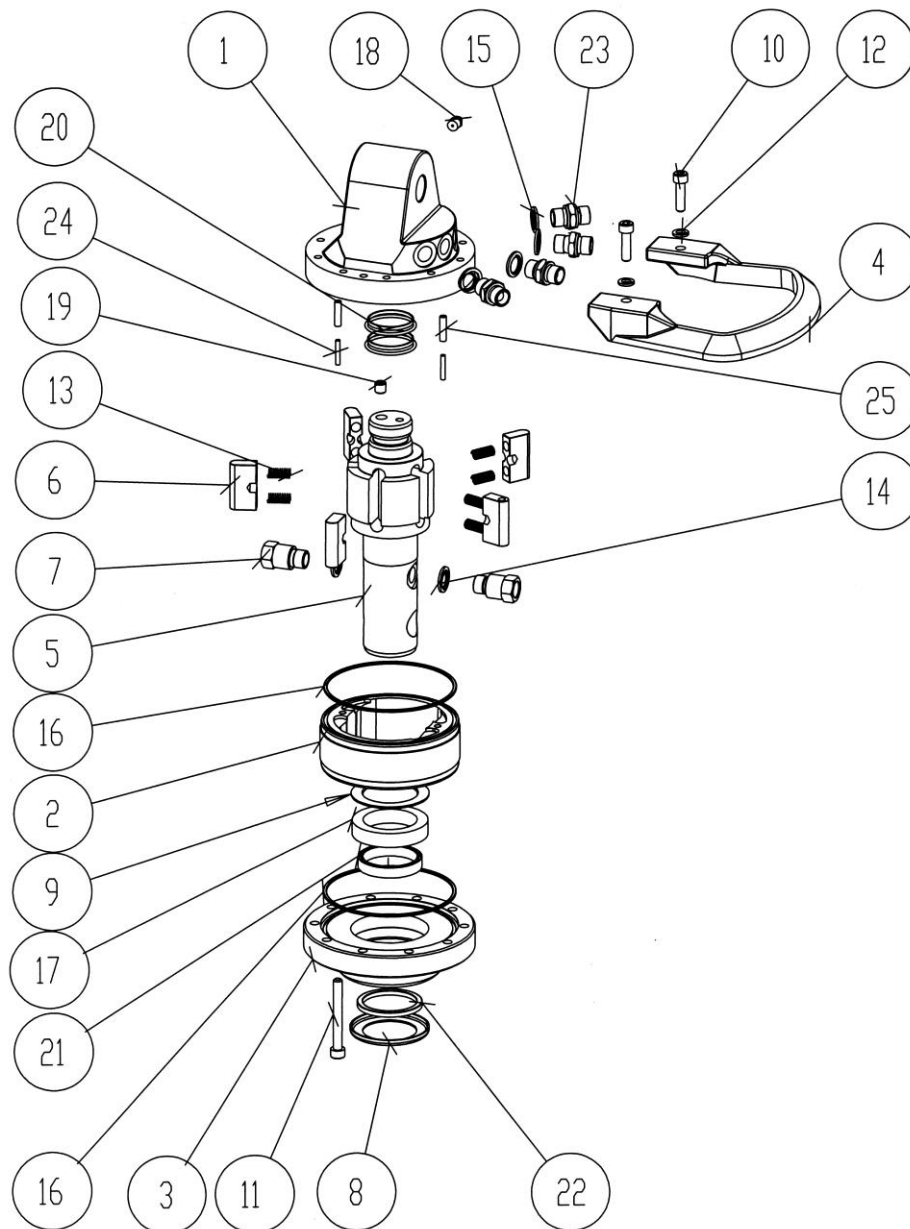


### Parts List

Pos	Part#	Benämning	Description	Qty
1	273200	Ok	Body	1
2	272200	Yttre klo	Outer claw	1
3	271200	Inre klo	Inner claw	1
4	274201	Parallellstag	Guide bar	1
5	274202	Parallellstag	Guide bar	1
6	276200	Axel	Shaft	2
7	276202	Axel	Shaft	1
8	286202	Cylinder	Cylinder	1
	782202	Packningssats	Seal kit	1
9	818100	Bricka	Washer	5
10	821208	Bussning 3030	Bushing 3030	8
11	821258	Bussning 3040	Bushing 3040	4
12	851325	Axellåsmutter	Lock nut	3
13	861500	Saxpinne	Split pin	2
14	548100	Smörjnippel	Grease nipple	9

**12: ROTATOR**

**R3 Rotator**



# GR36 Log Grapple

## OPERATION, MAINTENANCE AND SPARE PARTS MANUAL



### Parts List

Pos	Art.	Name
1	186212	Top cover
2	184212	Stator frame
3	185212	Bottom cover
4	182212	Nipple guard
5	183212	Rotor shaft
6	837212	Vane
7	544100	Fitting shaft
8	817212	Cover plate

9	811212	Shim
10	842030	Screw
11	842070	Screw
12	814210	Spring washer
13	833100	Spring
14	815100	Washer
15	815150	Washer
17	831150	Thrust ball bearing
18	548060	Grease nipple

19	567302	Tapered plug
23	541006	Fitting
24	835124	Pin
25	835126	Pin
	<b>781210</b>	<b>Seal kit</b>
16	746800	O-ring
20	734100	Piston rod seal
21	733400	Piston rod seal
22	757100	V-ring

---

**GR36 Log Grapple**  
**OPERATION, MAINTENANCE AND**  
**SPARE PARTS MANUAL**

---



**This Page Left Blank Intentionally**

# GR36 Log Grapple

## OPERATION, MAINTENANCE AND SPARE PARTS MANUAL



NE  
I  
M  
A  
C  
I  
T  
E

### Limited Warranty

VALBY warrants the product to be free from defects in materials and workmanship for twelve (12) months from date of purchase, or one month from in-service, whichever is longer. For seals, the warranty is limited to six (6) months. The warranty covers parts replacement only. The free replacement of parts is exclusive. The manufacturer is not liable for any incidental or consequential damages. No labor costs cost are included, no freight costs are included in replacements. This warranty does not cover defects resulting from:

- misuse of product
- inadequate maintenance
- modifications of the product

The warranty is effective only, if the lower portion of this card is completed and returned to the importer within 14 days of receipt of the product.

**IMPORTANT:** Do not operate your equipment without reading the operators manual! If the operators' manual was lost, a new manual can be obtained from the importer (write address below or call 607-589-6160).

Date of Delivery:    \_\_\_/\_\_\_/\_\_\_

Customer:            \_\_\_\_\_

Address:             \_\_\_\_\_

City:                 \_\_\_\_\_

State, Zip            \_\_\_\_\_, \_\_\_\_\_

Telephone#    (    ) \_\_\_\_\_ - \_\_\_\_\_

Product:            GR 36 Log Grapple

Serial#              \_\_\_\_\_

Purchased From:    \_\_\_\_\_

#### Importer:

Northeast Implement  
460 Halsey Valley Road  
Spencer, NY 14883  
USA

Phone: (607) 589-6160

Fax:                    (607) 589-4026

Email                 [info@northeastimplement.com](mailto:info@northeastimplement.com)

Website:             [www.northeastimplement.com](http://www.northeastimplement.com)



Product Registration QR Code

**\*\*Please remove this page and mail to address above for warranty registration\*\***  
On-line at [www.northeastimplement.com](http://www.northeastimplement.com), under "Products" tab, click "Product Registration"

# GR36 Log Grapple

## OPERATION, MAINTENANCE AND SPARE PARTS MANUAL



### General Warranty Terms

#### Intermercato Rotators

Intermercato warrants that the products are free from defects in materials and workmanship. The product warranty is strictly limited to defects in materials and manufacturing and does not include damage caused by incorrect mounting, misuse, abuse or overloading.

The warranty covers repair or replacement of defective parts. The products are not to be returned without prior notice and Intermercato's approval.

The product warranty is twelve (12) months from sales date, for seals, the warranty is limited to six (6) months.

Travel costs and costs of mounting are not covered by this warranty.

The warranty is not valid if the products have been repaired, altered or dismantled, even partly.

The warranty does not cover secondary damage.

The warranty is effective only, if the lower portion of this card is completed and returned to the importer within 14 days of receipt of the product.

**IMPORTANT:** Do not operate your equipment without reading the operators manual! If the operators' manual was lost, a new manual can be obtained from the importer (write address below or call 607-589-6160).



Date of Delivery:    \_\_\_/\_\_\_/\_\_\_

Customer:            \_\_\_\_\_

Address:             \_\_\_\_\_

City:                 \_\_\_\_\_

State, Zip            \_\_\_\_\_, \_\_\_\_\_

Telephone#    (    )        -        \_\_\_\_\_

Product:            R3 Rotator

Serial#              \_\_\_\_\_

Purchased From:    \_\_\_\_\_

**Importer:**

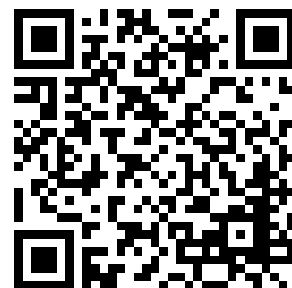
Northeast Implement  
460 Halsey Valley Road  
Spencer, NY 14883  
USA

Phone:            (607) 589-6160

Fax:                (607) 589-4026

Email              [info@northeastimplement.com](mailto:info@northeastimplement.com)

Website:          [www.northeastimplement.com](http://www.northeastimplement.com)



Product Registration QR Code

**\*\*Please remove this page and mail to address above for warranty registration\*\***  
On-line at [www.northeastimplement.com](http://www.northeastimplement.com), under "Products" tab, click "Product Registration"

# GR36 Log Grapple

## OPERATION, MAINTENANCE AND SPARE PARTS MANUAL



### 14: GRAPPLE RECOMMENDATIONS

**PLEASE READ THE FOLLOWING TO AVOID YOUR WARRANTY BEING VIOLATED**

The following are the current manufacturer recommendations for grapples and rotators based on applications and excavator size. Any uses of the grapples and rotators that vary from these recommendations may void any warranty claim you may have.

#### Standard Log Grapples

	Cranes ton meter max	Rotator	Excavator size cardanic mount	Rotator	Excavator size rigid mounting	Rotator
GR28	2	IVR 3	2	IVR 3	0	
GR36	2	IVR 3	2	IVR 3	0	
GR50	3	4.59/IVR4FG	3	4.59/IVR4FG	0	
GR50 Pro	4	RX 55F6	4	RX 55F6	0	
GR55	5	RX 55F6	5	RX 55F6	0	
GR60	7	RX60F	7	RX60F	0	
GR75	15	GV12	15	GV12	0	
GR100	20	GV12S	20	GV12S	0	

#### Heavy Duty Log Grapples

GR50HD	4	IVR 4.59/IVR4FG	4	IVR 4.59/IVR4FG	3	RMR03
GR55HD	5	RX 55F6	6	RX 55F6	4	RMR06
GR60HD	15	RX 120.2/RX 120S	15	RX 120.2/RX 120S	10	RMR06
GR75HD	20	RX 120S	20	RX 120S	14	RMR08
GR100HD	30	RX 120S	30	RX 120S	20	RMR12

#### Universal/Sorting Grapples

SG36HD	3	IVR 3	3		2	RMR03
SG52HD	4	IVR 4.59	4		3	RMR03
SG48HD	8	RX 55F6	8		7	RMR06
TG 12 UG/7	1.5	IVR 3	4		2	RMR03
TG 22 UG/9	12	RX 60F	10		7	RMR06
TG 28 UG/11	15	GV12	15		10	RMR08
GX 28-50	20	GV12	20		14	RMR12
TG 36 UG/13	20	GV12S	20		14	RMR12
TG 55 UG/11	30	GV12S	30		20	0

# GR36 Log Grapple

## OPERATION, MAINTENANCE AND SPARE PARTS MANUAL



### Demolition Grapples

	Cranes tonmeter max	Rotator	Excavator size cardanic mount	Rotator	Excavator size rigid mounting	Rotator
TG 20 DG	0				10	RMR16
TG 20 DGW	0				12	RMR16
TG 25 DG	0				17	RMR20
TG 30 DG	0				22	RMR20
TG 35 DG	0				25	RMR20

### Clamshell Buckets

TGS 12-40	0.5	IVR 3				
TGS 12-50	0.5	IVR 3				
TCB 500	10	IVR 4.59/IVR 4FS	10	IVR 4.59/IVR 4FS	7	RMR06
TCB 650	12	IVR 4.59/IVR 4FS	10	IVR 4.59/IVR 4FS	7	RMR06
TCB 800	15	RX55.69/RX55F	10	RX55.69/RX55F	7	RMR06
TCB 1000	20	RX55.69/RX55F	10	RX55.69/RX55F	7	RMR08
TCB HD 1250	25	GV12	15	GV12	10	RMR12
TCB HD 1500	25	GV12	15	GV12	10	RMR16
Superchip	25	GV12S	15	GV12S	10	RMR20







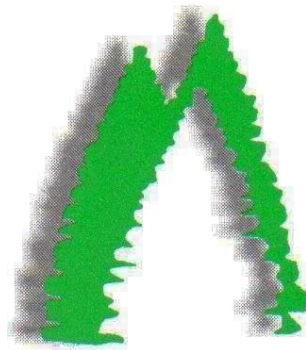
---

**GR36 Log Grapple**  
**OPERATION, MAINTENANCE AND**  
**SPARE PARTS MANUAL**

---



Thank you for your purchase...



**Northeast Implement Inc.**

Spencer, NY 14883

Tel: 607-589-6160

Fax: 607-589-4026

[www.northeastimplement.com](http://www.northeastimplement.com)

